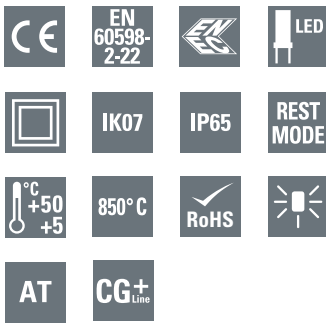
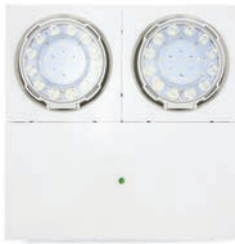


# Beam lights

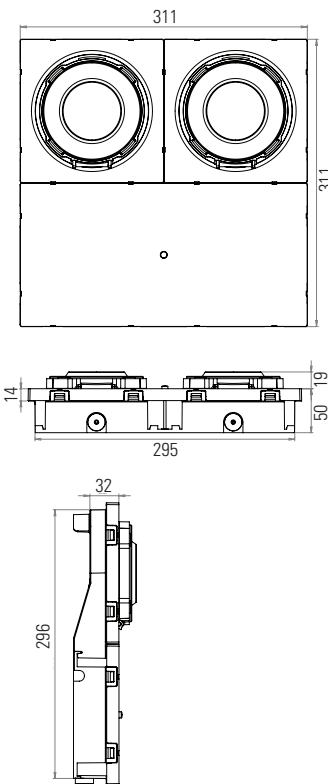
## BeamTech Large PSU, 2 Light Heads



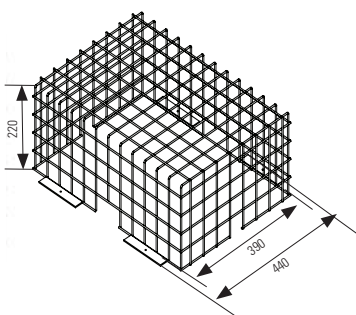
BeamTech Large PSU, 2 Light Heads



Dimensions in mm



Protection grid



### Features & Benefits

- High flux luminaire with configuration of two directional LED lamp heads
- Variants of 500lm and 1000lm, each light head can reach up to 500 lumens
- Installation up to 25m (30m) with optimum spacing of 36.8m (43.1m) for 1lux (0.5lux) illumination
- E-focus programming. Narrow and Wide light distribution, programmed by the user
- One product applicable for Escape Route or Open area illumination
- User / installer to define light distribution to fit the application
- Suitable for use in large open areas (supermarkets, warehouses, cinemas, theatres, factories, shopping malls, industrial units, stadiums etc.)
- New modern and flexible / modular design, wall or ceiling mounted
- Mains & communication cabling option from all housing sides (back & side entry)
- Locking mechanism of light head preventing accidental change of light heads configuration
- With automatic test for reduced inspection effort
- For autonomous installation or connection to the CGLine+ monitoring system
- Simple fault analysis and status display via bi-color LED
- Blocking function prevents unintended discharge during idle operating times (only with CGLine+ WEB-Controller)

Luminous flux	500lm, 1000lm
Operation	Non-Maintained
Autonomy	1 or 3 hours
Testing system	test button, test by Telecommand
Degree of protection	IP65 & IK07
Connection terminals	up to 2,5 mm <sup>2</sup> screwless pushwire & multicore, In & Out mains terminals (L, N, E) CGLine+ bus through-wiring up to 2,5 mm <sup>2</sup>
Rated voltage	220-240Vac, 50/60Hz
Housing material	Polycarbonate (850 °C glow wire resistant)
Housing color	RAL9003
Insulation class	Class II
Permissible ambient temperature	+5°C to +40°C (NiCd) / +5°C to +50°C (LiFePo)
Light source	12 LEDs Wide / 12 LEDs Narrow (4W max)

### Ordering details

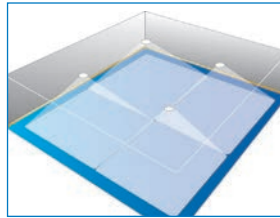
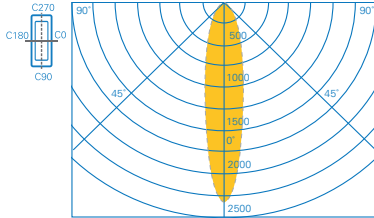
Order code	Description				
BT2LL-D3	BeamTech Large 2x250lm	5VA/4.5W*	3h	500 lm	LiFePo4 6.4V / 3.2Ah
BT2LC-D1CGL	BeamTech Large 2x250lm CGL	2.3VA/1.6W	1h	500 lm	NiCd 4Cs 4.8V / 1.7Ah
BT2LL-D3CGL	BeamTech Large 2x250lm CGL	5VA/4.5W*	3h	500 lm	LiFePo4 6.4V / 3.2Ah
BT2LL-F1	BeamTech Large 2x500lm	5VA/4.5W*	1h	1000 lm	LiFePo4 6.4V / 3.2Ah
BT2LL-F3	BeamTech Large 2x500lm	10VA/9W**	3h	1000 lm	2x LiFePo4 6.4V / 3.2Ah
BT2LL-F1-AT	BeamTech Large 2x500lm AT	5VA/4.5W*	1h	1000 lm	LiFePo4 6.4V / 3.2Ah
BT2LL-F3CGL	BeamTech Large 2x500lm CGL	10VA/9W**	3h	1000 lm	2x LiFePo4 6.4V / 3.2Ah

\* While charging, less than 1W in standby  
\*\* While charging, less than 2W in standby

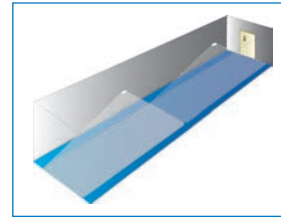
### Accessories

Order code	Description
BTLGRID	BeamTech Large/BeamLiteII Grid (54x44x22)

### BeamTech 2 Light Heads Narrow beam at 0°-0° slope

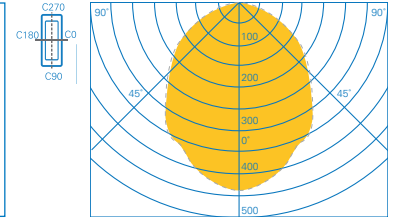


Open area for 0.5 lux



Escape route for 1 lux

### BeamTech 2 Light Heads Wide beam at 0°-0° slope



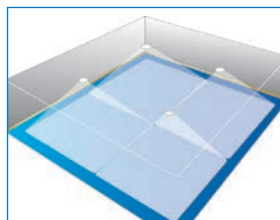
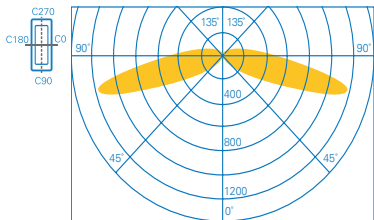
#### Planning help for BeamTech with 2 Light Heads with Narrow & Wide beam 1.0 lx (0.5lx)

Maintenance factor MF = 80 %, battery operation and distances in m

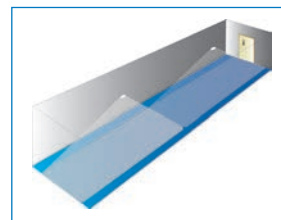
Luminaire type	Height (m)	Distance for 1 Lux (0.5 Lux)			
Ceiling mounting Escape route centre 2 Light Heads 2x250lm Narrow beam at 0°-0°	5,00	4,7 (—)	11,6 (—)	4,7 (—)	11,6 (—)
	7,50	5,2 (5,3)	13,5 (14,1)	5,2 (5,3)	13,5 (14,1)
	10,00	5,3 (5,6)	14,5 (16,1)	5,3 (5,7)	14,5 (16,0)
	12,50	5,1 (5,7)	14,9 (17,4)	5,18 (5,9)	15,0 (17,3)
	15,00	4,8 (5,8)	14,8 (18,6)	4,8 (5,8)	15,0 (18,5)
Ceiling mounting Escape route centre 2 Light Heads 2x500lm Narrow beam at 0°-0°	7,50	6,8 (—)	16,8 (—)	6,8 (—)	16,9 (—)
	10,00	7,3 (7,2)	18,8 (19,4)	7,3 (7,2)	18,8 (19,3)
	12,50	7,4 (7,6)	20,1 (21,6)	7,5 (7,6)	20,1 (21,5)
	15,00	7,4 (7,8)	20,8 (23,2)	7,5 (7,9)	20,8 (23,1)
	20,00	7,0 (8,0)	21,1 (25,7)	7,0 (8,1)	21,3 (25,6)
25,00	6,1 (7,7)	20,2 (27,3)	6,1 (7,7)	20,7 (27,4)	

Luminaire type	Height (m)	Distance for 1 Lux (0.5 Lux)			
Ceiling mounting Escape route centre 2 Light Heads 2x250lm Wide beam at 0°-0°	2,50	4,5 (—)	10,6 (—)	4,4 (—)	10,9 (—)
	3,00	4,8 (4,6)	11,5 (11,6)	4,8 (4,7)	11,9 (11,2)
	4,00	5,4 (5,2)	13,2 (13,1)	5,3 (5,1)	13,2 (13,4)
	5,00	5,7 (5,6)	14,6 (14,9)	5,6 (5,57)	14,6 (14,6)
	7,50	5,7 (6,1)	16,1 (18,0)	5,7 (6,1)	16,0 (17,9)
Ceiling mounting Escape route centre 2 Light Heads 2x500lm Wide beam at 0°-0°	3,00	5,8 (—)	14,1 (—)	6,0 (—)	13,8 (—)
	4,00	6,6 (6,2)	15,9 (15,9)	6,6 (6,2)	16,4 (15,4)
	5,00	7,3 (6,8)	17,9 (17,4)	7,3 (6,8)	17,7 (17,8)
	7,50	8,0 (8,0)	21,0 (21,4)	8,0 (7,9)	21,0 (21,1)
	10,00	8,0 (8,4)	22,6 (24,7)	8,1 (8,5)	22,4 (24,6)
12,50	7,8 (8,6)	22,7 (27,4)	7,8 (8,6)	22,7 (27,0)	
15,00	6,3 (8,5)	22,6 (28,4)	6,29 (8,5)	22,6 (28,1)	

### BeamTech 2 Light Heads Narrow beam at 75°-75° slope

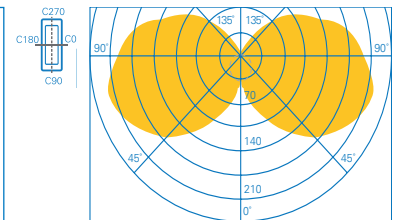


Open area for 0.5 lux



Escape route for 1 lux

### BeamTech 2 Light Heads Wide beam at 75°-75° slope



#### Planning help for BeamTech with 2 Light Heads with Narrow & Wide beam 1.0 lx (0.5lx)

Maintenance factor MF = 80 %, battery operation and distances in m

Luminaire type	Height (m)	Distance for 1 Lux (0.5 Lux)			
Ceiling mounting Escape route centre 2 Light Heads 2x250lm Narrow beam at 75°-75°	2,50	1,3 (1,9)	4,2 (5,9)	10,0 (11,5)	24,58 (29,84)
	3,00	1,1 (1,8)	4,0 (6,0)	10,6 (12,7)	26,52 (32,49)
	4,00	1,1 (1,8)	4,0 (6,0)	10,6 (12,7)	26,52 (32,49)
Ceiling mounting Escape route centre 2 Light Heads 2x500lm Narrow beam at 75°-75°	2,50	2,1 (2,6)	6,2 (7,9)	12,3 (13,2)	29,9 (35,3)
	3,00	1,9 (2,6)	6 (8,2)	13,3 (14,8)	32,4 (38,8)
	4,00	1,7 (2,4)	5,6 (8,7)	14,9 (17,1)	36,9 (43,1)

Luminaire type	Height (m)	Distance for 1 Lux (0.5 Lux)			
Ceiling mounting Escape route centre 2 Light Heads 2x250lm Wide beam at 75°-75°	2,50	1,8 (2,7)	5,0 (7,1)	5,3 (6,8)	14,1 (18,9)
	3,00	1,5 (2,4)	5,0 (7,5)	5,4 (7,3)	14,7 (20,3)
	4,00	1,5 (2,4)	5,0 (7,5)	5,4 (7,3)	14,7 (20,3)
Ceiling mounting Escape route centre 2 Light Heads 2x500lm Wide beam at 75°-75°	2,50	2,5 (3,4)	7,0 (9,1)	7,1 (8,7)	18,3 (23,7)
	3,00	2,5 (3,5)	7,1 (9,6)	7,3 (9,1)	19,3 (25,3)
	4,00	2,3 (3,3)	7,1 (10,6)	7,6 (10,0)	20,6 (27,9)
5,00	1,0 (1,8)	7,1 (11,1)	7,6 (11,0)	21,2 (31,5)	

\* Spacing tables above are examples of performance of certain models with specific lumen output, installed on specific heights at few headlamps direction options. Complete performance characteristics for all models, all installation heights and all headlamp direction options can be derived by the use of the LTD files available on request.



**Narrow light distribution** enables installations and ideal for large, escape routes and illumination of safety equipments. A maximum spacing of up to 16.5m between luminaires reduces the number of required light points and an application range from 5m up to 20m for 1Lux enables mounting at the normally occurring heights.



**Wide light distribution** enables higher height installations and ideal for large and high areas where no fixed escape route is defined, meaning that the complete area must be illuminated. A maximum spacing of up to 16m between luminaires reduces the number of required light points and an application range from 2.5m up to 10m for 1Lux enables mounting at the normally occurring heights.